

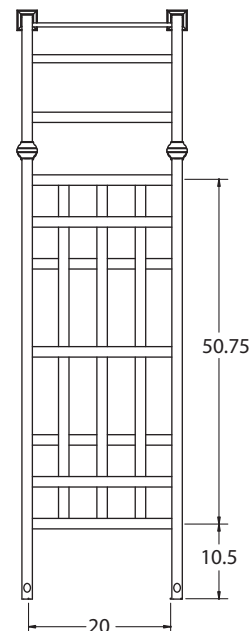
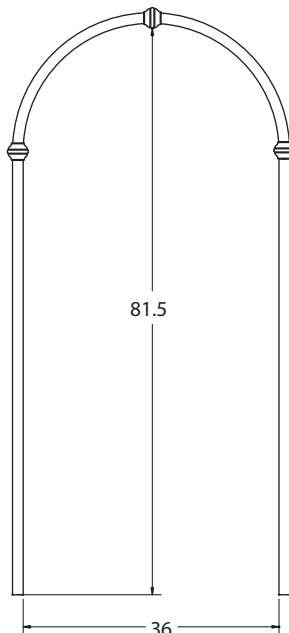
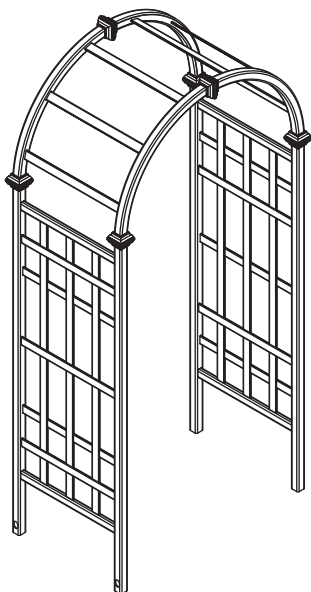
# ASSEMBLY INSTRUCTIONS

## The Athens Arbor

Eden™

Enduring Garden Architecture

www.edenarbors.com



Please read through before starting assembly.

### Check Box for These Contents

In the event of missing or defective parts please call our customer service dept. at **1 800 282 9346, ext #20** (Mon. to Fri. 8:00 AM to 4:00 PM EST).

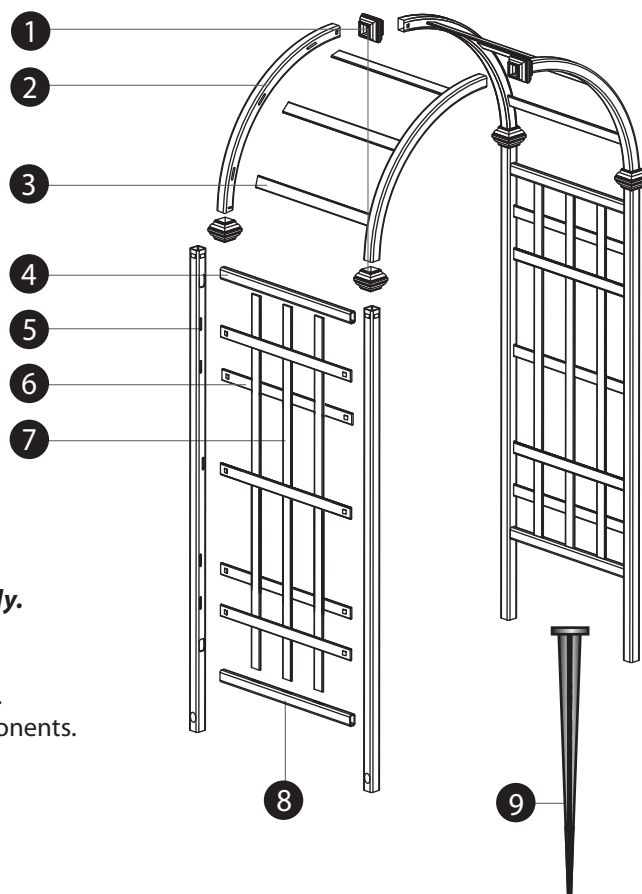
1. Post Caps/Keystones (6)
2. Arches (4)
3. Arch Rafters (6)
4. Side Panel Horizontal Top Rails (2)
5. Posts (4)
6. Side Panel Horizontal Spindles (10)
7. Side Panel Vertical Spindles Long (6)
8. Side Panel Horizontal Bottom Rails (2)
9. Ground Anchoring Stakes (4)

### Tools You Will Need

- Hammer
- Tape Measure
- Level
- Stool or Short Ladder
- Shovel

### General Information

- **Read Instructions through carefully before beginning assembly.**
- When assembling components, place on a non-abrasive surface (i.e. shipping box) to avoid scratching.
- We recommend an area approx 10'x 8' for unobstructed assembling.
- You should not need to use excessive force when assembling components.



Not to Scale

## STEP ONE

### Assemble the Arch System

**1**

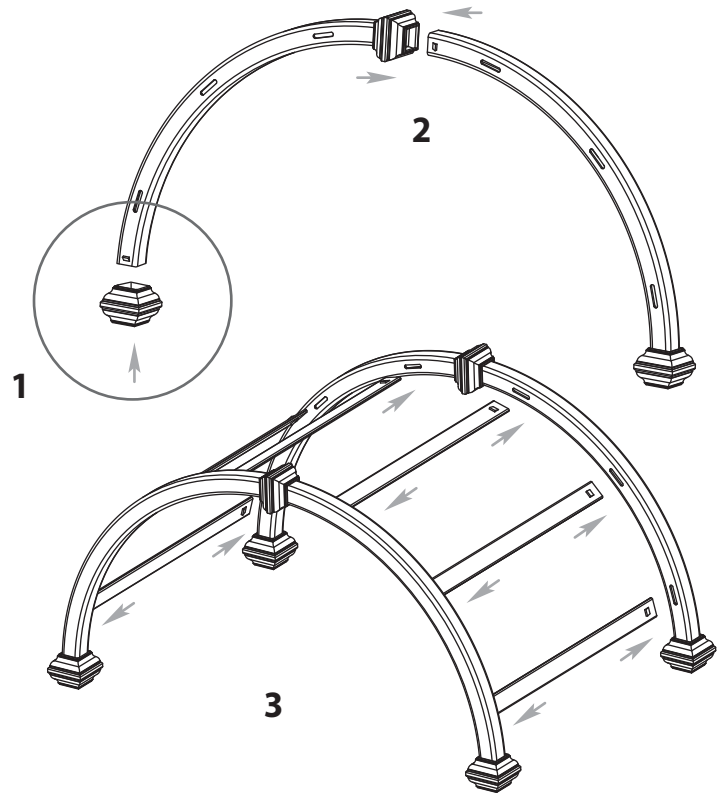
Join post caps to both ends of 2 arches, and one end of the other 2 arches. There are "locking tabs" located at each end of the arches that once inserted into the post caps they will lock into place.

**2**

Join one arch that has just one post cap installed to an opposite arch that has post caps installed on both ends. Ensure routed holes are orientated properly to receive arch rafters. There are "locking tabs" located at each end of the arches that once inserted into the keystone will lock into place. Repeat for other arch.

**3**

Insert arch rafters (6) into the holes on the arches until they bottom out inside the arches. There are "locking tabs" located at each end of these rafters that once inserted into the holes will lock into place.



## STEP TWO

### Assemble the Side Panels

**1**

Lay out the top horizontal rail, bottom horizontal rail, and the three vertical spindles. Push the horizontal top and bottom rails down over the verticals to lock into place.

**2**

Lay out one post with routed holes facing sideways as illustrated, and insert the top horizontal rail and the bottom horizontal rail. There are "locking tabs" located at each end of the horizontal spindles that once inserted into the posts will lock into place.

**3**

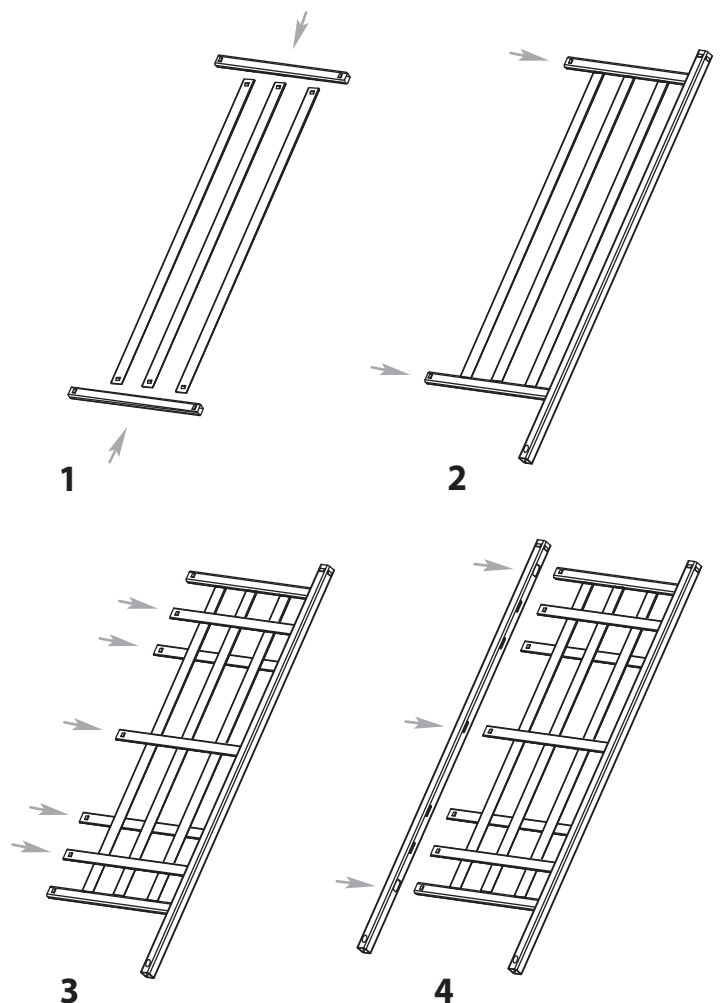
Insert the remainder of the five smaller spindles into the post in the appropriate "basket weave" pattern with the vertical spindles.

**4**

Lay out the opposite post as illustrated ensuring that the crimps or tabs are located at the top (or same as other post) and complete the side panel by inserting it into the post.

**5**

Repeat for other side panel.

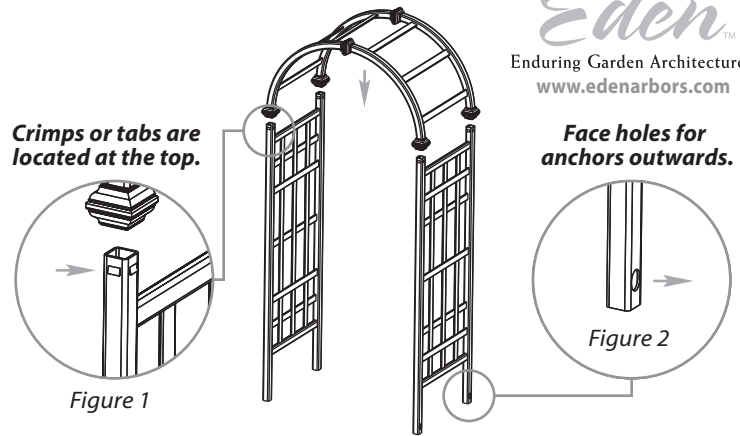


## STEP THREE

### Connect Arch System to Side Panels

Set out one side panel ensuring that the crimps or tabs are **located at the top** (see Figure 1). Also ensure that the panel is orientated correctly by facing the holes (for ground anchors) at the bottom of the posts **outwards** (see Figure 2).

Install assembled arch into side panels. The top of all posts are crimped to allow the arch system to lock unto the posts.



## STEP FOUR

### Arbor Installation

Arbors must be well secured to prevent tipping over from wind load etc. We have provided four ground anchors for securing the arbor either into the ground or a concrete footing. In some cases it may be acceptable to secure the arbor to an existing structure such as a fence post. If you are installing your arbor on concrete or a deck, see your hardware store for the appropriate galvanized bracketing hardware.

#### A Into Earth Without Concrete Footing

1

Move the arbor to its final location (you will need a helper). When you are satisfied with the location, mark the positions of the posts, then move the arbor aside and lay it carefully on its side. Excavate 4 holes approx 3" deep. Carefully move the arbor back into position and level it both vertically and horizontally.

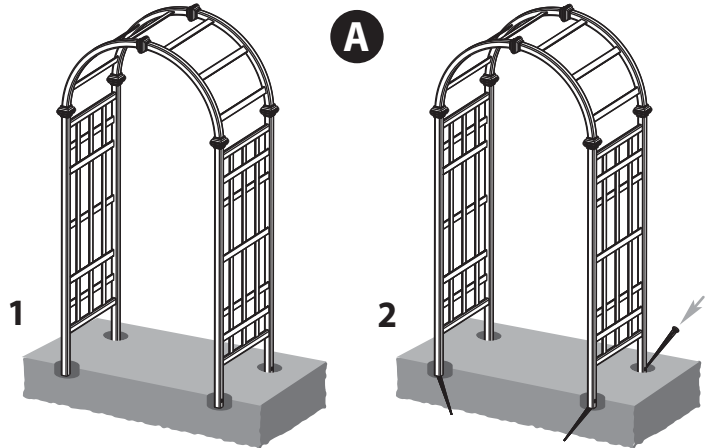
2

Drive the four post anchors on appropriate angle thru the hole at the bottom of the posts.

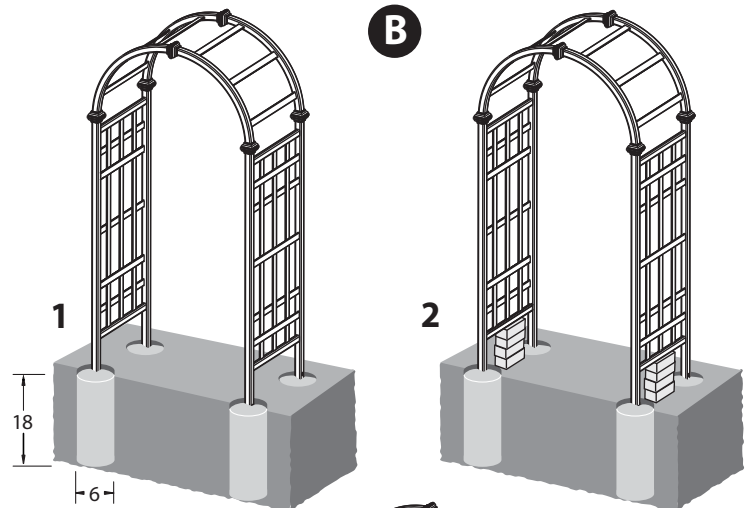
3

Backfill the holes with the excavated soil to cover the anchors.

A



B



#### B Into Earth With Concrete Footing

1

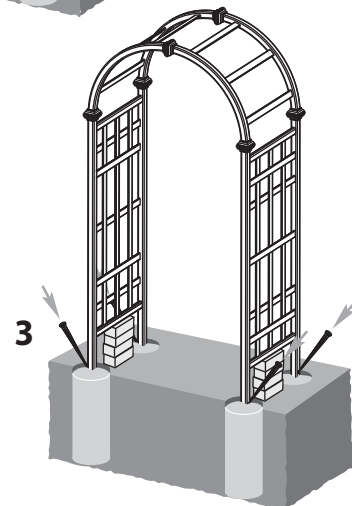
Complete A #1 above, with the exception of excavating the holes at least 6" wide x 18" deep. Fill holes with wet cement within 3" of your grade (you will need 2 bags of pre-mix concrete - purchase separately). Carefully move the arbor back into position.

2

Support the arbor plumb and level over the holes with bricks, stones or blocks of wood under the bottom rail of the side panel. The post bottoms should insert themselves approximately 1/2" into the concrete.

3

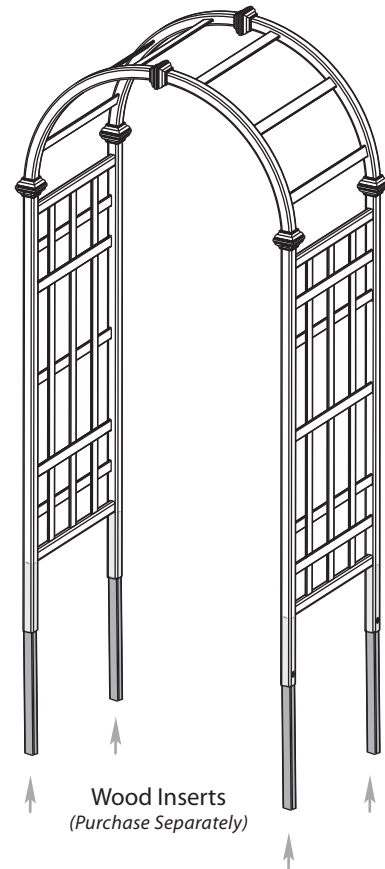
Push the 4 anchors into the hole on the bottom of the posts at the appropriate angle (you will need to do this quickly as your cement will begin to cure).



## OPTIONAL STEP

### Optional Arbor Installation

If this arbor is located in a high wind or activity area, you may want to use screws (not included) or vinyl glue (not included) to stiffen the keystone and post cap connections. Also, consider purchasing pressure treated lumber and trimming it down to size and cutting it into 36" lengths. Insert into the bottom of all four posts until they hit the bottom horizontal rail on the side panel. Fasten accordingly with screws and install either directly into the ground or into a concrete footing.



*Eden*<sup>™</sup>

Enduring Garden Architecture