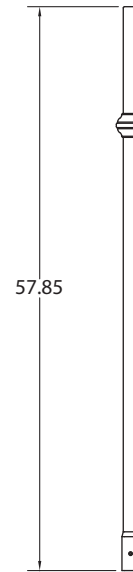
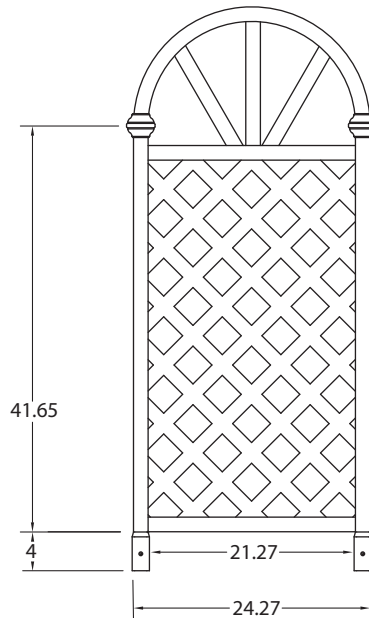
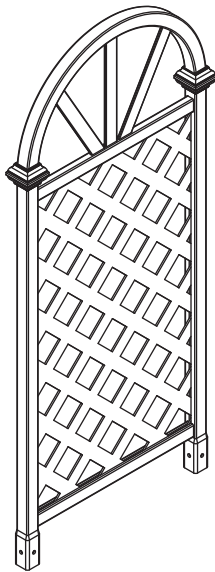


ASSEMBLY INSTRUCTIONS

Eden™

Enduring Garden Architecture
www.edenarbors.com

The Madrid Trellis (Pre-Assembled)



Please read through before starting assembly.

Check Box for These Contents

In the event of missing or defective parts please call our customer service dept. at **1 800 282 9346, ext #20** (Mon. to Fri. 8:00 AM to 4:00 PM EST).

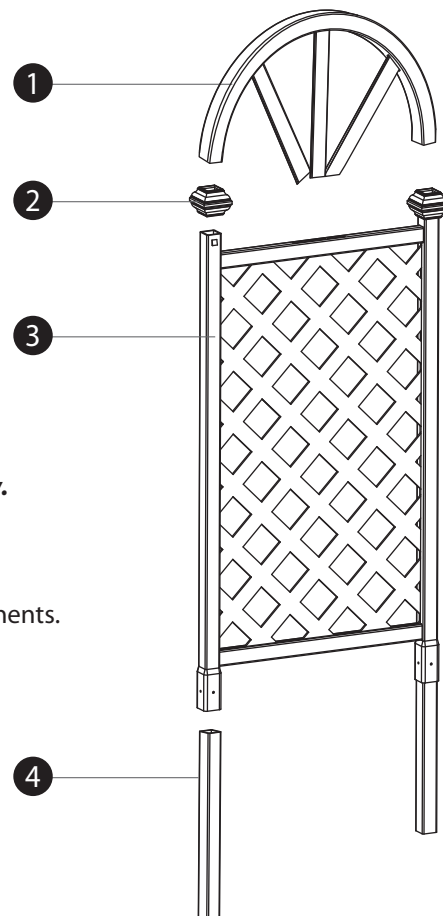
1. Arch System & Spokes (1)
2. Post Caps (2)
3. Pre-Assembled Lattice Screen (1)
4. Ground Anchoring Stakes (2)
5. 5/8" Self-Auguring Stainless Steel Screws (8)

Tools You Will Need

- Cordless Drill
- Hammer
- Tape Measure
- Level
- Shovel

General Information

- **Read Instructions through carefully before beginning assembly.**
- When assembling components, place on a non-abrasive surface (i.e. shipping box) to avoid scratching.
- We recommend an area approx 5'x 8' for unobstructed assembling.
- You should not need to use excessive force when assembling components.



5

Not to Scale

STEP ONE

Assemble Trellis

- 1 - Install post caps. Push down firmly to lock into place.
- 2 - Take arch system and guide the three spokes into the pre-routed holes on the top rail of the trellis while guiding the arch system into the post caps.
- 3 - Push down firmly on arch system to lock into the post caps.

STEP TWO

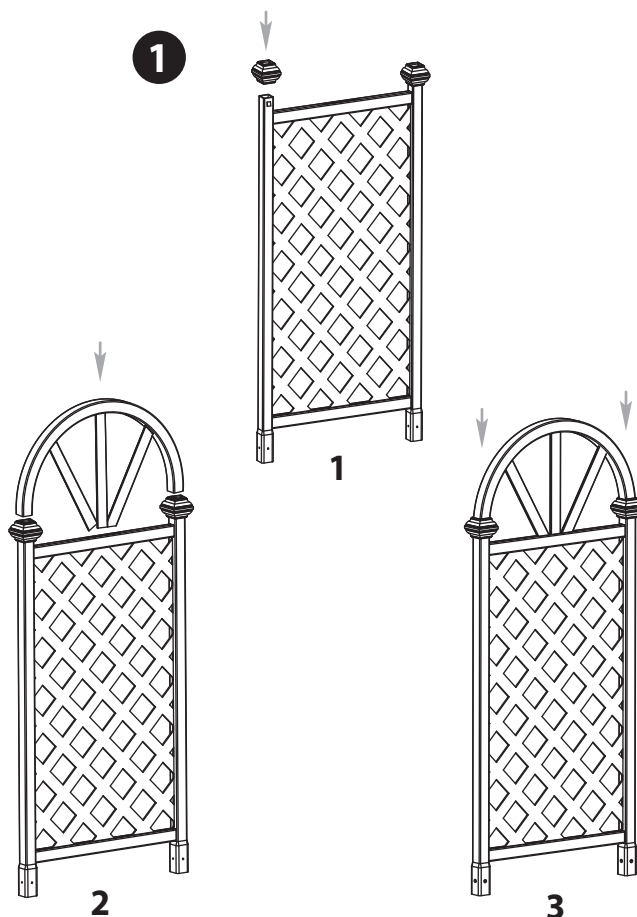
Install the Ground Anchor Stakes

- 5 - Insert the ground anchoring stakes into the bottom of the trellis posts. Secure with screws into the four pre-drilled holes.

STEP THREE

Install Trellis into Ground

- 6 - Move the trellis to its final location. When you are satisfied with the location, mark the positions of the posts, then move the trellis aside and lay it carefully on its side. Excavate the 2 post holes approximately 18" deep x 6" diameter. Carefully move the trellis back into position.
- 7 - Level it both vertically and horizontally into the excavated holes.
- 8 - Backfill the holes with the excavated soil.



Mounting Into the Ground

Trellises must be well secured in the event of heavy vine growth, etc. We have provided two ground anchoring stakes for securing the trellis either into the ground or into a concrete footing. If you are installing your trellis directly to the wall of your home, or on a wood deck or concrete surface, please see your hardware store for the appropriate galvanized bracket hardware.

